

voran[®]

machinery

Belt press EBP420



Delicious quality

Natural juices

Naturally cloudy fruit and vegetable juices represent an important and tasty element of healthy and balanced nutrition. They are a source of nutrients, minerals and natural vitamins in a balanced composition.

Hygiene

The maintenance of hygiene for the raw materials and mechanical operations is one of the most important requirements so that the valuable ingredients are retained during processing. Therefore at voran® we focus on simple cleaning and the food-grade quality of all parts that touch the product.

Profitability

Our modern fruit processing equipment is characterized by excellent product quality, high juice yield — at extremely low operating, maintenance and repair costs — and high value maintenance.

Fruit processing lines

As an innovative solution each machine is part of a perfectly matched modular fruit processing line for producing and marketing natural, digestible, long-life, high-quality products.

Experience meets innovation

For decades voran® has stood for quality, dynamism and professionalism when it comes to food processing. As a financially stable, medium-sized company, we currently employ around 160 people in Pichl bei Wels — in the heart of Upper Austria.

voran® – our solutions for today are the standard for tomorrow.

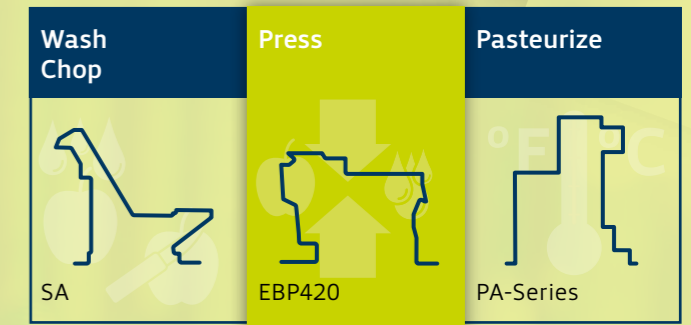


Well thought-out solution

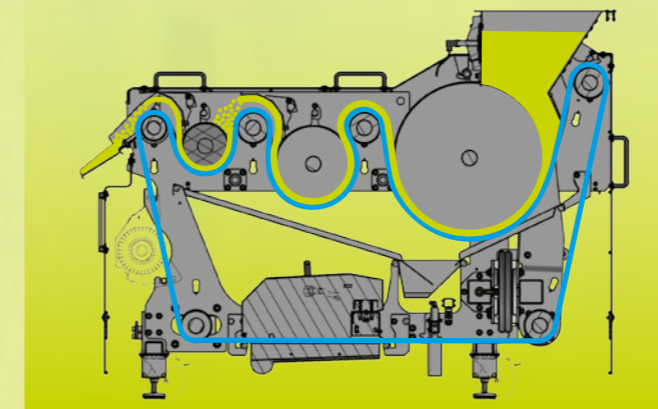
Continuously high yield

The operation of this belt press is completely automatic and continuous so it only requires a low level of monitoring. The infinite regulation of the press speed and pressure guarantees ideal juice quality and up to 70 % yield. It can be used universally for various types of fruit (stones must be removed before pressing), berries, vegetables, herbs and to dehydrate all kinds of ingredients.

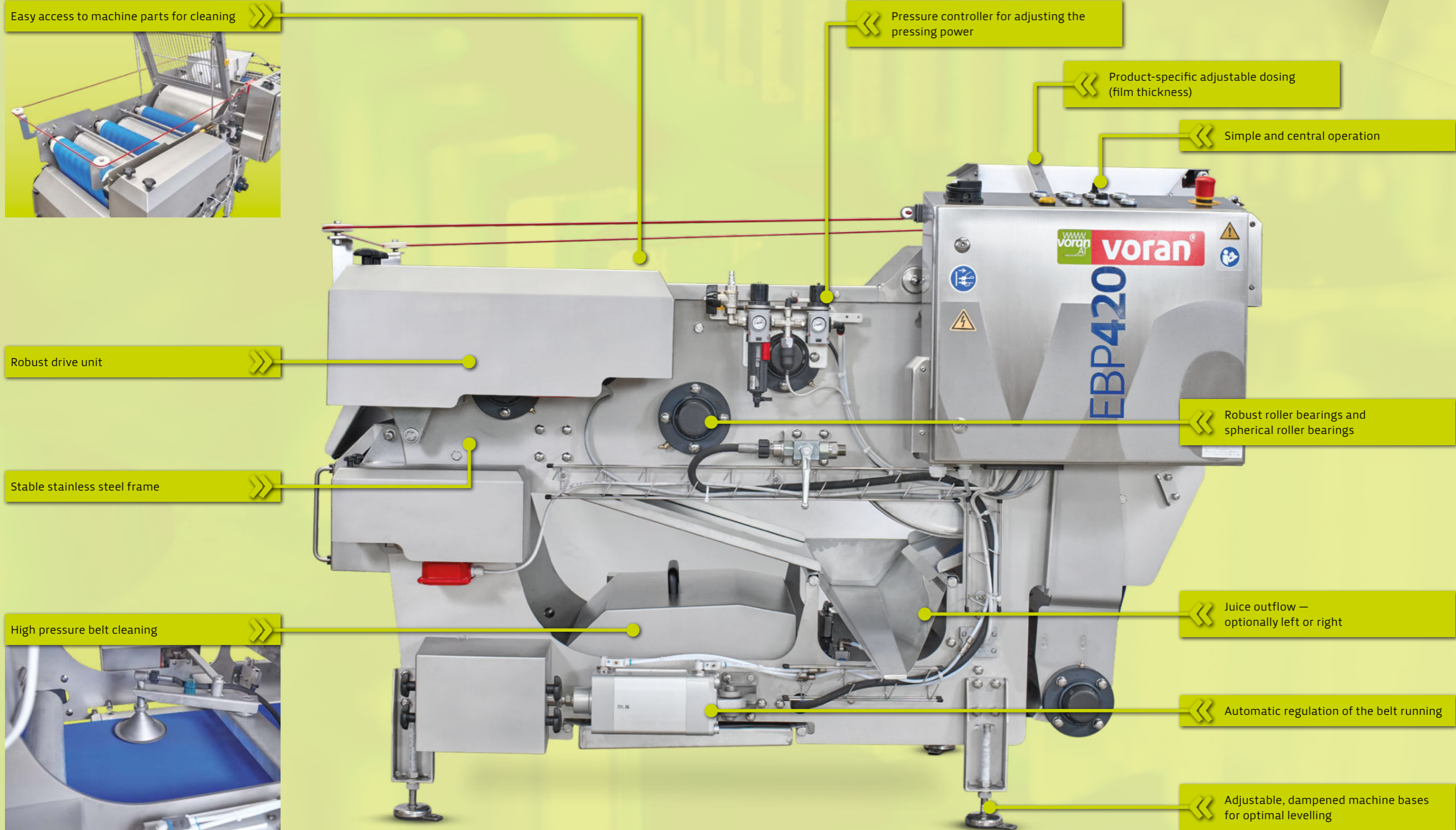
During construction the special focus is on the easy accessibility of all of the machine's parts and their simple cleaning. All attachment parts such as dosing boxes, mash guidance, juice guidance sheet, juice container ... can be removed without tools. This enables intermediate and final cleaning to be conducted efficiently. All machine parts that are in contact with the food are food-grade.



The whole design is made from stainless steel and therefore meets the highest hygiene requirements for food processing. Low costs for operation and maintenance characterize this machine. The machine is ready to plug in and can be assembled on a flat surface without foundations. If requested we are happy to make the belt press operational for you.



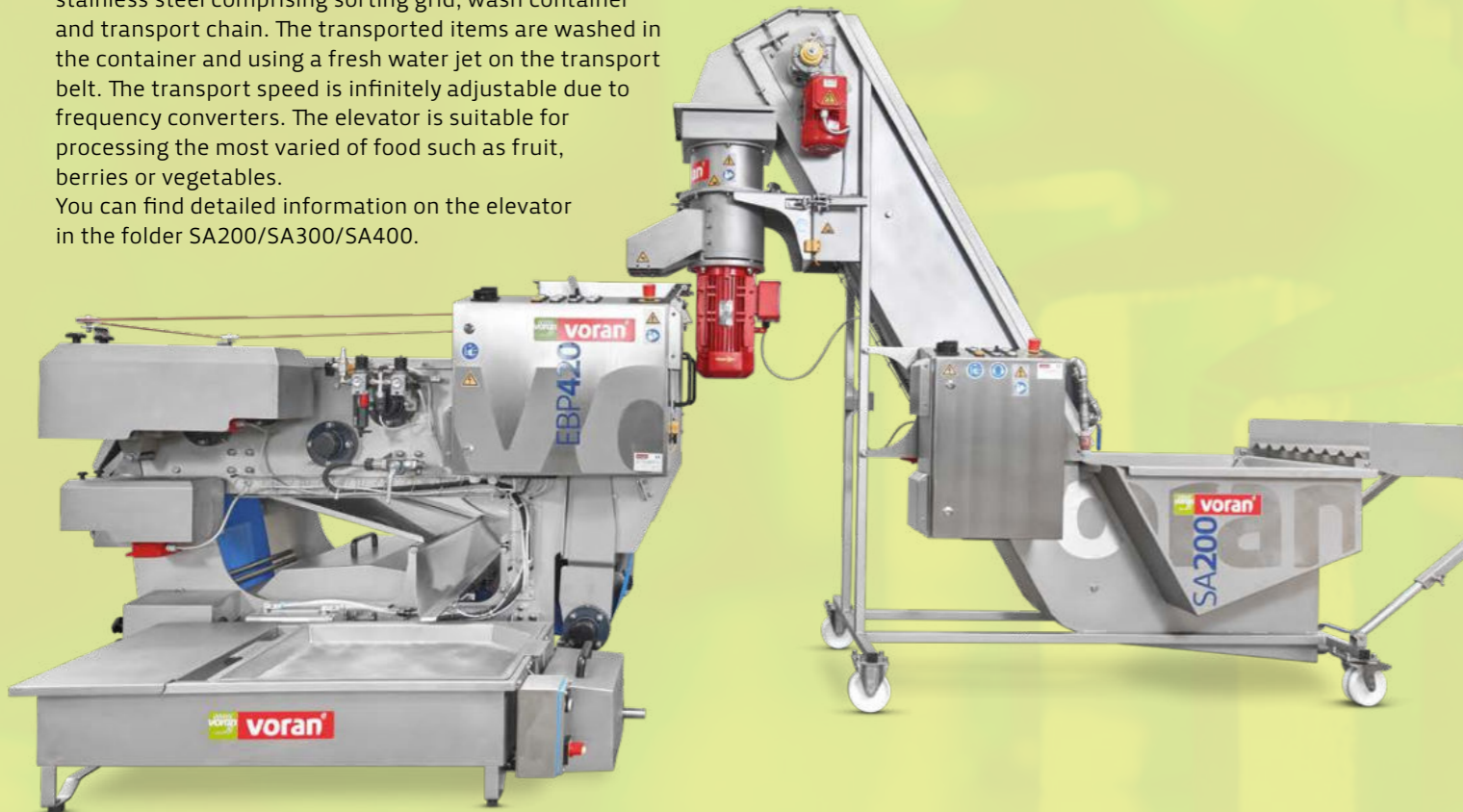
Design



Additions

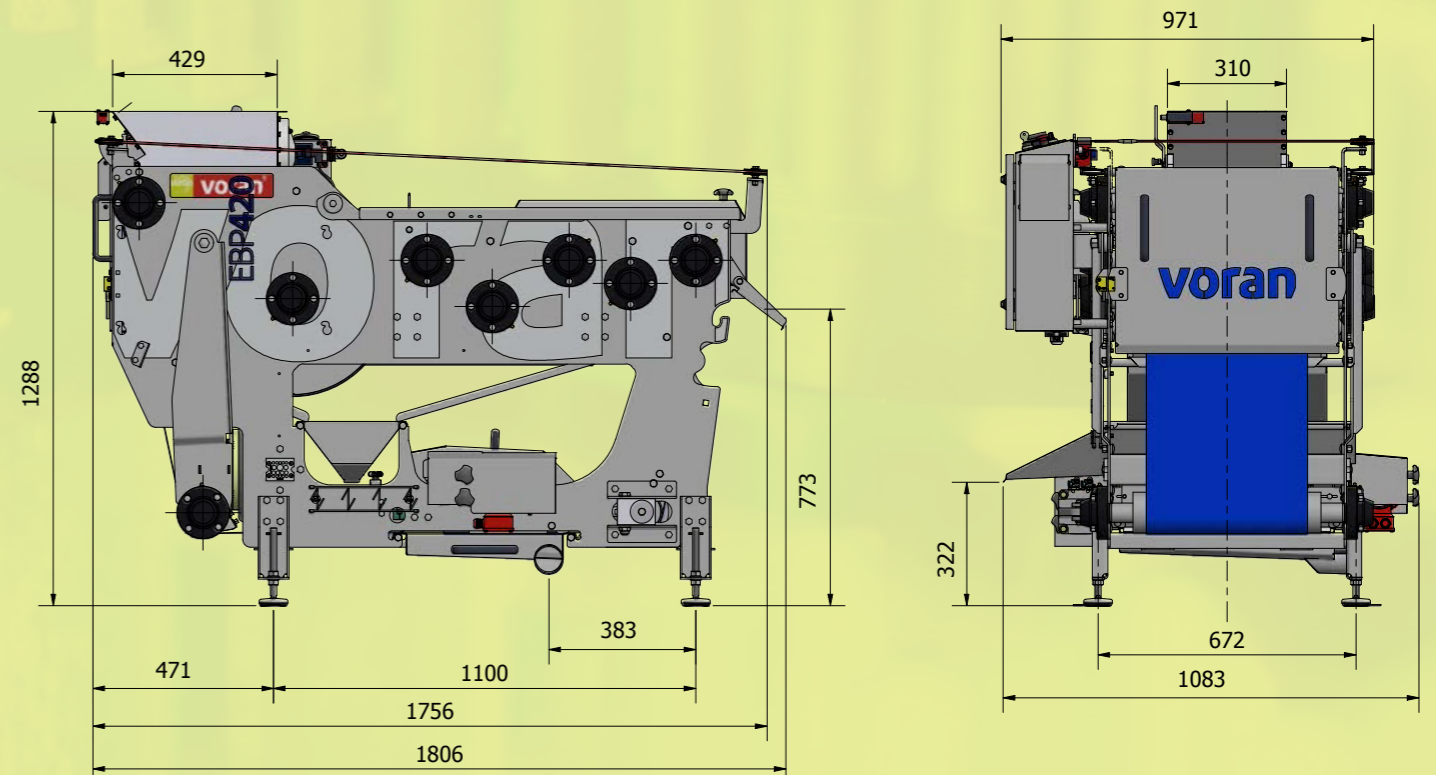
Elevator with centrifugal mill SA200 – RM2,2

Washing system for fruit and vegetables made from stainless steel comprising sorting grid, wash container and transport chain. The transported items are washed in the container and using a fresh water jet on the transport belt. The transport speed is infinitely adjustable due to frequency converters. The elevator is suitable for processing the most varied of food such as fruit, berries or vegetables. You can find detailed information on the elevator in the folder SA200/SA300/SA400.



Technical data

EBP420



Juice collection tank 65 l

Food grade collection container with 1mm rough sieve. Secure and simple operation using a completely automatic impeller pump.



Included in standard

We rely on trusted branded quality for our accessories.



Compressors

High-pressure cleaners

Type	EBP420
Nominal output in kg/h*	600
Belt width/length in mm	420
Belt speed in m/min	1.5 – 3.5 (continuously)
Contact time in min	0.6 – 2
Drive power/belt cleaning in kW	0.55 / 0.37
Electrical connection**	400 V / 50 Hz (three-phase, neutral line required)
Minimum fusing in Ampere	16
Connector	CEE 16 A 6 h
Water consumption for belt cleaning in l/min	12
Height mash acceptance in mm	1,288
Height dispensary in mm	773
Dimension length/width/height in mm	1806 / 1083 / 1288
Design***	Stainless steel
Total weight in kg	540

*Depending on the raw material being processed **Other voltages and net specifications on request ***Complies with EC 1935/2004

voran business lines

maschinen

machine construction

plant construction

facades

How to find us**voran** Maschinen GmbH

Production & Sales

Inn 7

A 4632 Pichl bei Wels

Austria | Europe

T +43 (0) 72 49 / 444-0

F +43 (0) 72 49 / 444-888

office@voran.at · www.voran.at

Service Hotline

T +43 (0) 72 49 / 444-200