

DE-19-001100/00 pos. 1

Bevel helical Gear reducer – G series

Application given data

N.A.

Designation: R C2I 225 UO2A - 26,3 V5
 Mounting position V5, $n_1 = 2000$ [min⁻¹]

Standard product : Yes

Accessories and special designs

- High input speed (N)
- Bearing lubrication pump (P)

Reducer/Gearmotor specifications

Transmission ratio i		26,3
Output speed n_2	[min ⁻¹]	76,2
Input speed n_1	[min ⁻¹]	2000
Input power P_1	[kW]	N.A.
Output torque M_2	[N m]	N.A.
Service factor f_s		N.A.
Efficiency		0,94
Mass of gear reducer (without motor)	[kg]	352
Provisional lubricant quantity	[l]	37,0
ISO viscosity grade (T 10-40 °C)	[cSt]	220

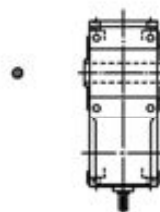
Nominal Data

Nominal input power P_{N1}	[kW]	144
Nominal output power P_{N2}	[kW]	135
Nominal output torque M_{N2}	[N m]	16960
Maximum output torque M_{2max}	[N m]	27136

Verifications

Safety factor on M_{2peak}	N.A.
Thermal power verification	N.A.
External loads verificaton	N.A.

Top view with M.P. B3



N.A: Not Applied

The results of calculations in this document have no validity in terms of warranty. Computing: a) are theoretical, b) are based on the assumptions for optimal working conditions specified on Rossi catalogues, c) they rely on the truthfulness of given input data for which the customer is the only responsible, d) any omitted data or not taken into account by the customer voids the entire report. All contents, and information in this document are sole property of Rossi S.p.A. It cannot be disclosed for purposes other than the scope for which it has been generated under the agreement between the Customer and an authorized Rossi representative. It cannot be reproduced (in whole or in part) without explicit written permission by Rossi S.p.A. legal representative, and in this case the intellectual property of the document remains solely of Rossi S.p.A.

Germany

Rossi GmbH
 e-mail: info.germany@rossi-group.com
www.rossi-group.com/germany

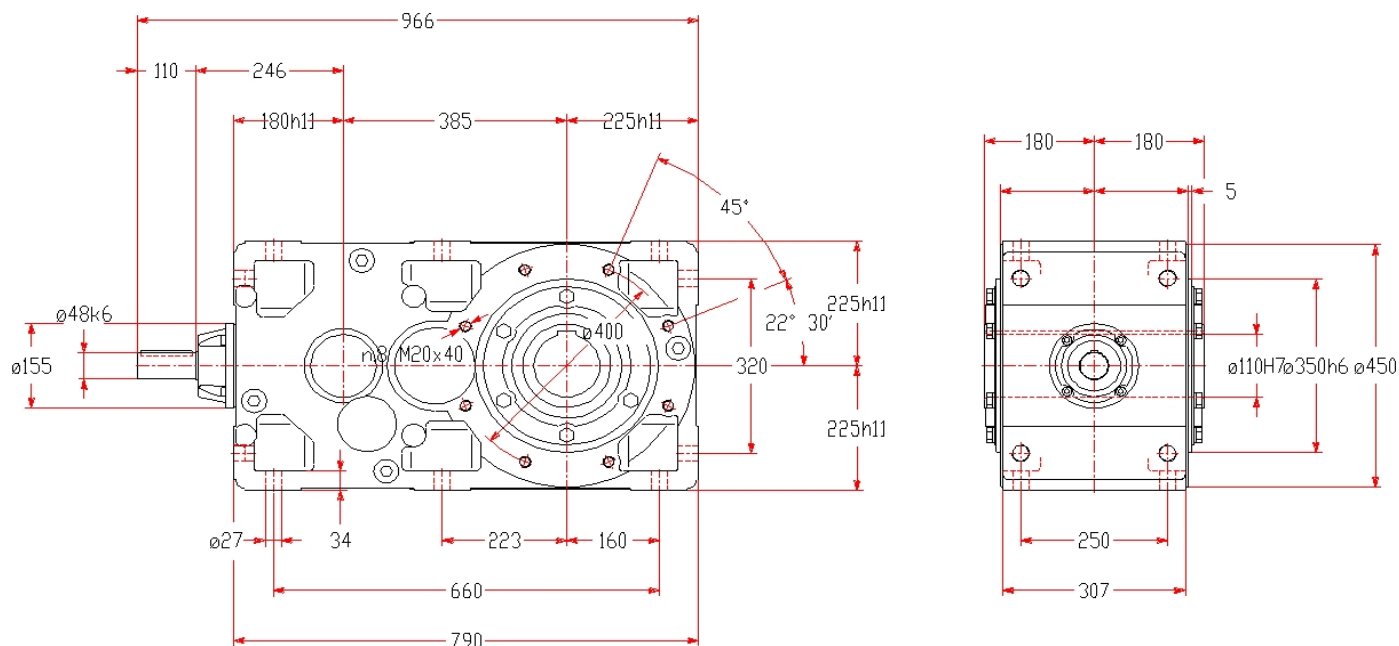
Rossi S.p.A.

Via Emilia Ovest 915/A - Modena - Italy
 Tel. 059 330288 - Fax 059 827774
info@rossi-group.com - www.rossi-group.com

DE-19-001100/00 pos. 1

Bevel helical Gear reducer - catalogue G

Main Dimensions [mm] (only for standard gearbox, in case of non-standard design see the drawing on the next page)



Informations and warnings:

Mounting nuts: M24 UNI 5588. With screw UNI 5737, see pag. 370 Cat. G series

Moment of inertia (of mass): J_1 [kg m²] = 0,0133

The results of calculations in this document have no validity in terms of warranty. Computing: a) are theoretical, b) are based on the assumptions for optimal working conditions specified on Rossi catalogues, c) they rely on the truthfulness of given input data for which the customer is the only responsible, d) any omitted data or not taken into account by the customer voids the entire report. All contents, and information in this document are sole property of Rossi S.p.A. It cannot be disclosed for purposes other than the scope for which it has been generated under the agreement between the Customer and an authorized Rossi representative. It cannot be reproduced (in whole or in part) without explicit written permission by Rossi S.p.A. legal representative, and in this case the intellectual property of the document remains solely of Rossi S.p.A.

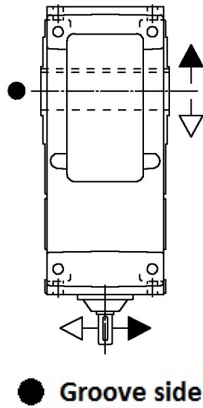
Germany
 Rossi GmbH
 e-mail: info.germany@rossi-group.com
www.rossi-group.com/germany

Rossi S.p.A.
 Via Emilia Ovest 915/A - Modena - Italy
 Tel. 059 330288 - Fax 059 827774
info@rossi-group.com - www.rossi-group.com

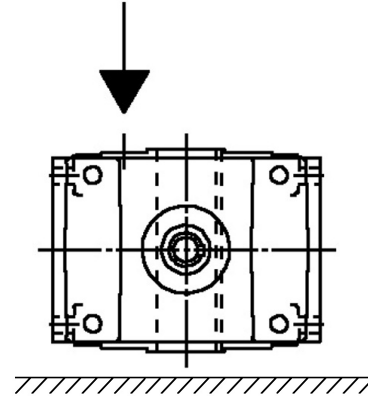
DE-19-001100/00 pos. 1

Bevel helical Gear reducer - catalogue G

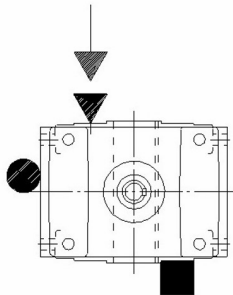
Design: UO2A



Mounting position: V5

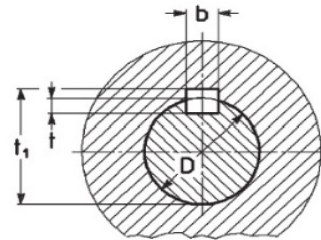


Plugs position (supplied without oil as standard)



- ▼ = filler plug (in view/not in view)
- = level plug (in view/not in view)
- = drain plug (in view/not in view)

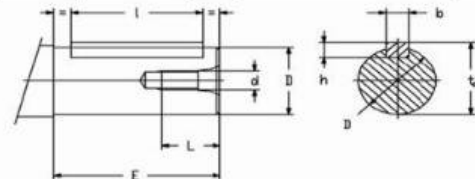
Standard hollow low speed shaft



D	b x h x l	b	t	t ₁
ø110 H7	28 x 16 x 250	28	10	116,4

High speed shaft: ø48k6

D	E	d	b x h x l	t ₀
ø19 j6	40 (30)	M6	6 x 6 x 36 (25)	22
ø24 j6	50 (36)	M8	8 x 7 x 45 (25)	27
ø28 j6	60	M8	8 x 7 x 45	31
ø32 k6	80 (58)	M10	10 x 8 x 70 (50)	35
ø38 k6	80 (58)	M10	10 x 8 x 70 (50)	41
ø48 k6	110 (82)	M12	14 x 9 x 90 (70)	52



The results of calculations in this document have no validity in terms of warranty. Computing: a) are theoretical, b) are based on the assumptions for optimal working conditions specified on Rossi catalogues, c) they rely on the truthfulness of given input data for which the customer is the only responsible, d) any omitted data or not taken into account by the customer voids the entire report. All contents, and information in this document are sole property of Rossi S.p.A. It cannot be disclosed for purposes other than the scope for which it has been generated under the agreement between the Customer and an authorized Rossi representative. It cannot be reproduced (in whole or in part) without explicit written permission by Rossi S.p.A. legal representative, and in this case the intellectual property of the document remains solely of Rossi S.p.A.