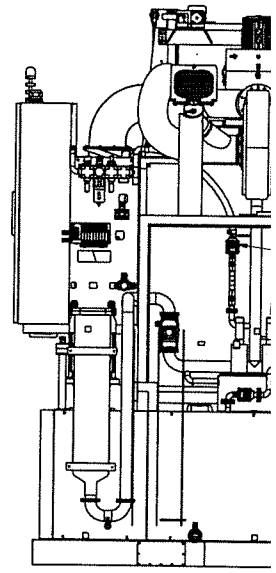
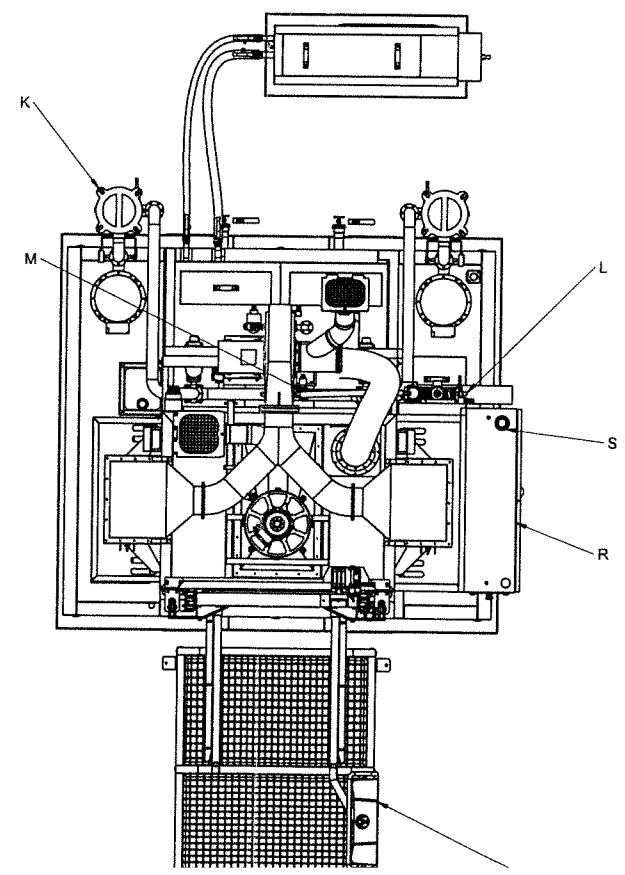
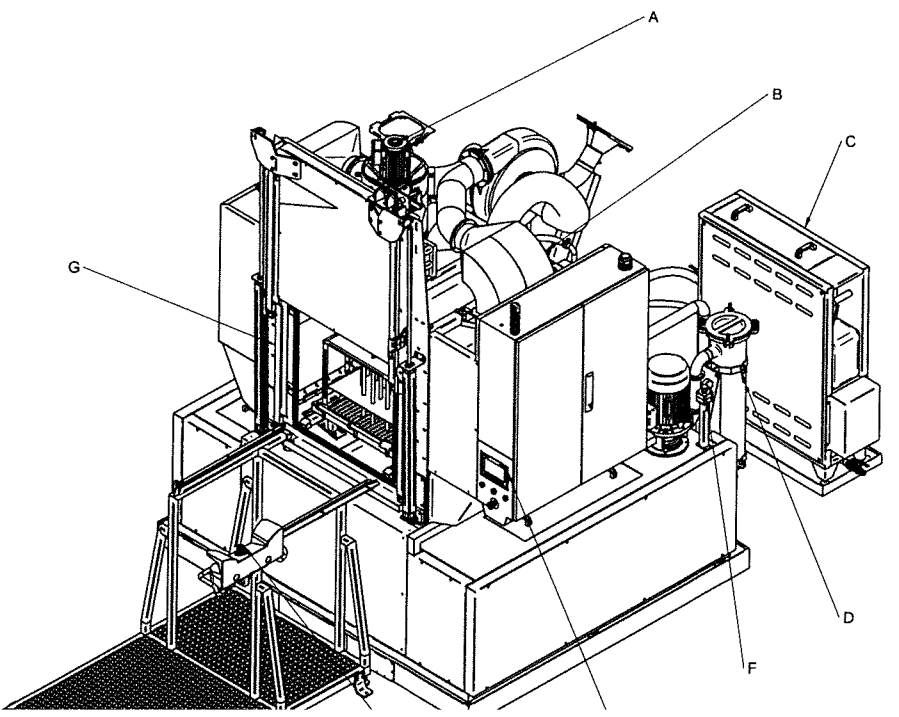
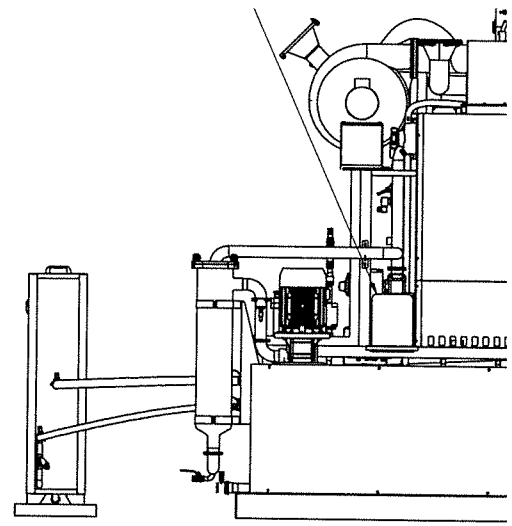
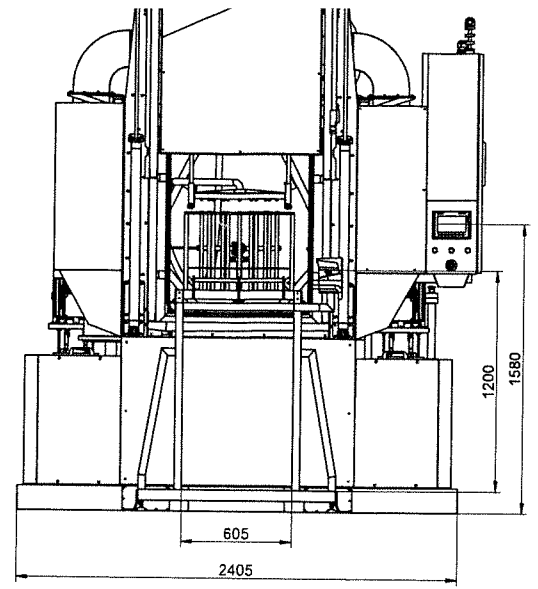
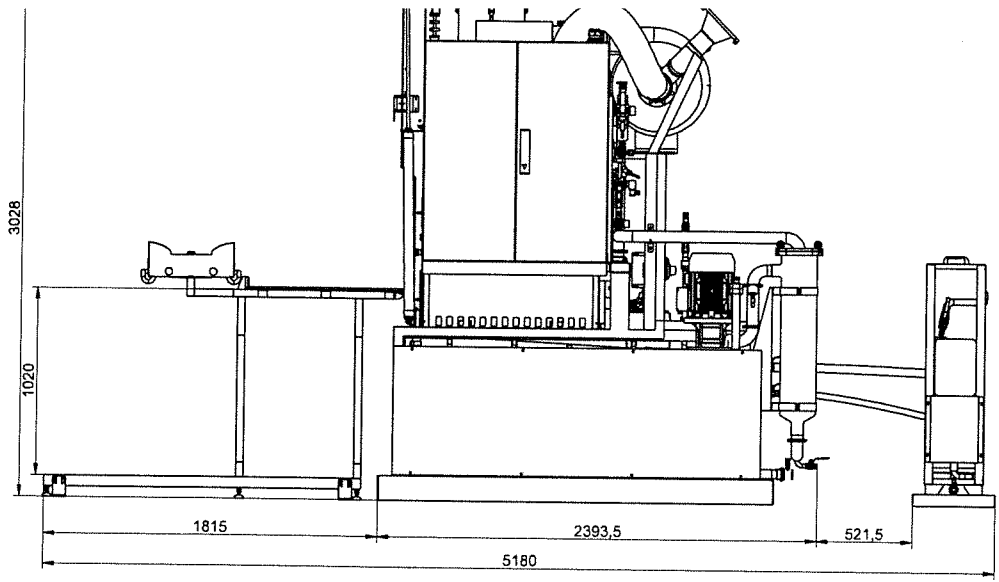
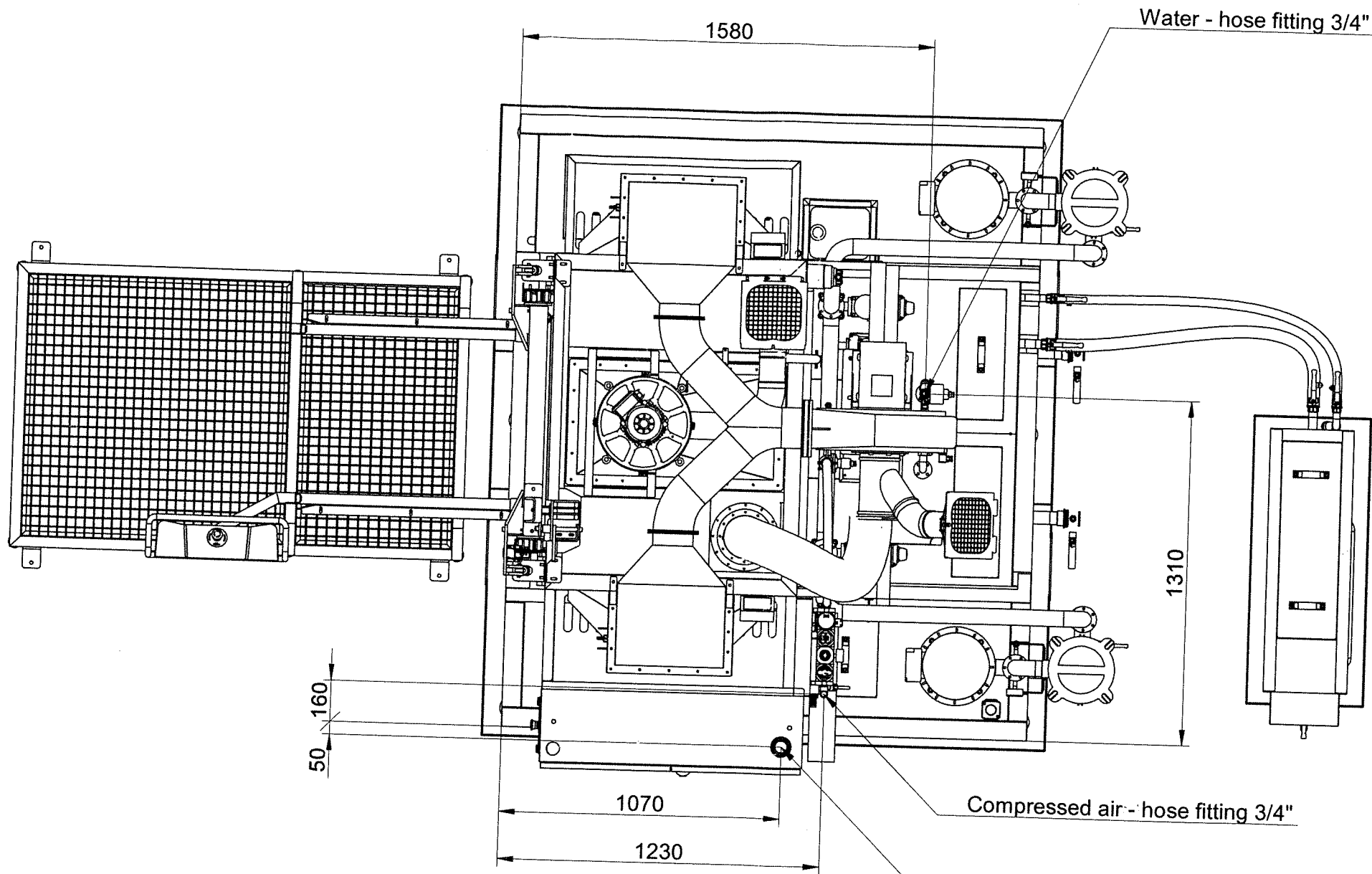


6
5
4
3
2





Electricity
Smax = 76 kVA; Imax = 110 A;
max 70 mm²

6
5
4
3
2