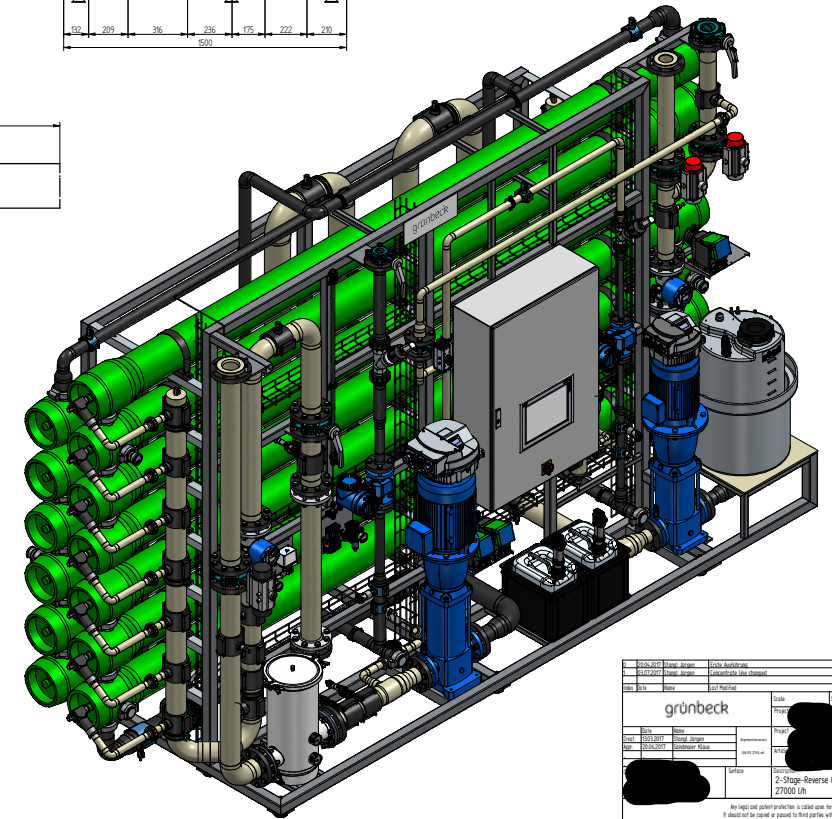
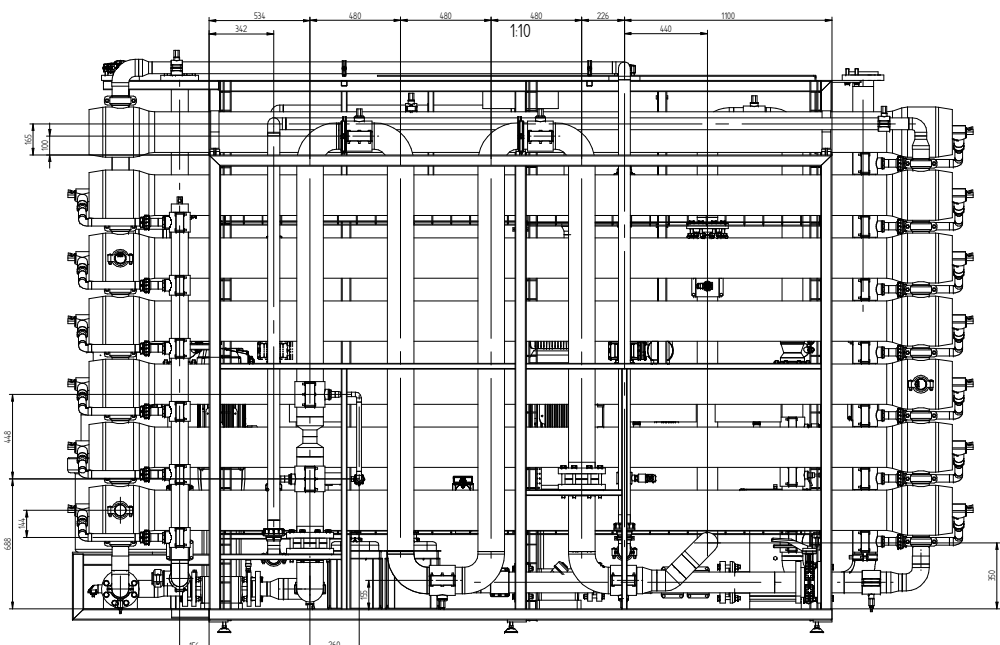


Attention:
The mentioned CIP-Connections will be used for cleaning of the RO-membranes.



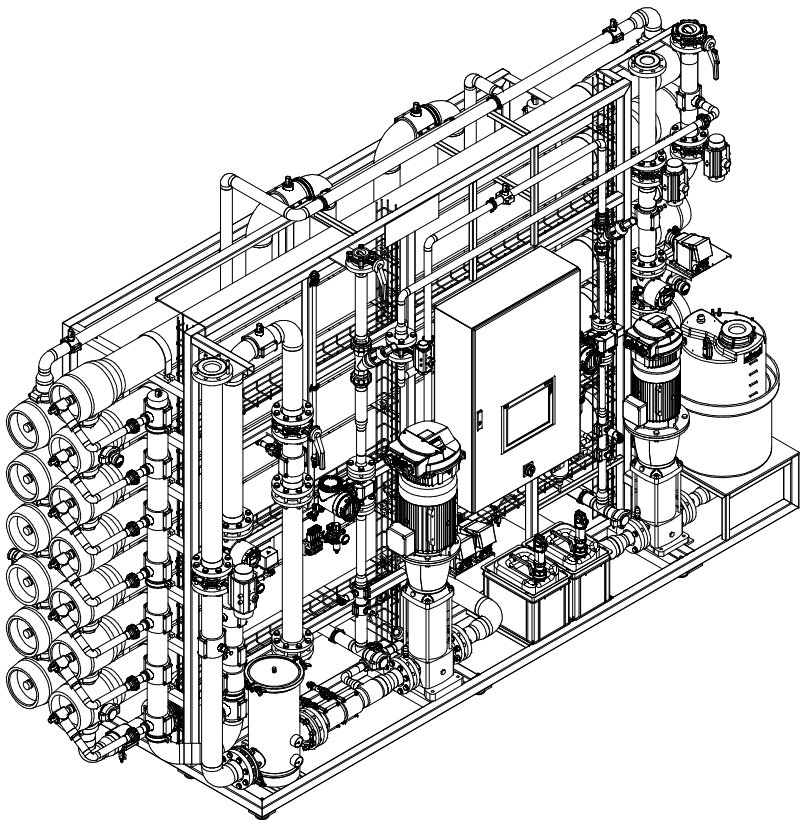
Quality testing based on EN 4380
 Pending inspection by AP
 Flow inspection
 Meter will fit component

2-Stage-Reverse Osmosis System	27000 L/h	1	2
Any repair and spare part production is subject to the drawing. It should be noted or agreed in writing before without our consent. Changes generally require our written authorization.		PDR_20230228	

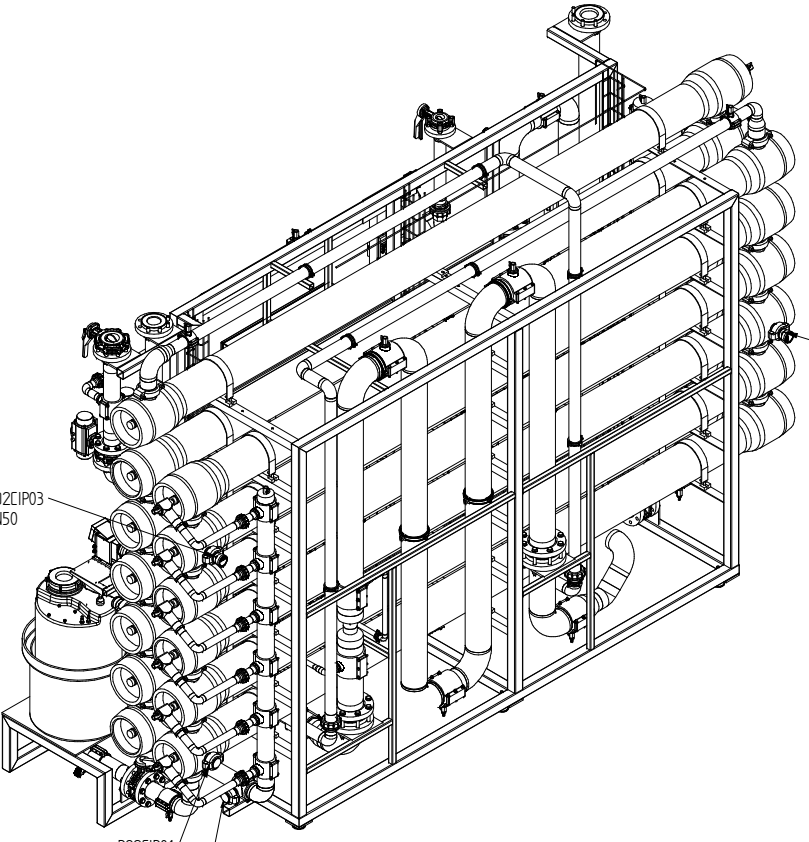


1:10

1:10



RO2CIP01 DN50



RO2CIP03 DN50

RO2CIP02 DN50

grünbeck	Projektname	Freigegeben	Datum
Druck	Blatt	Blatt	Blatt
2	1	2	2

Any right and patent protection is stated upon for this drawing.
It shall not be copied or passed to third parties without our consent.
Change primarily require our written authorization.