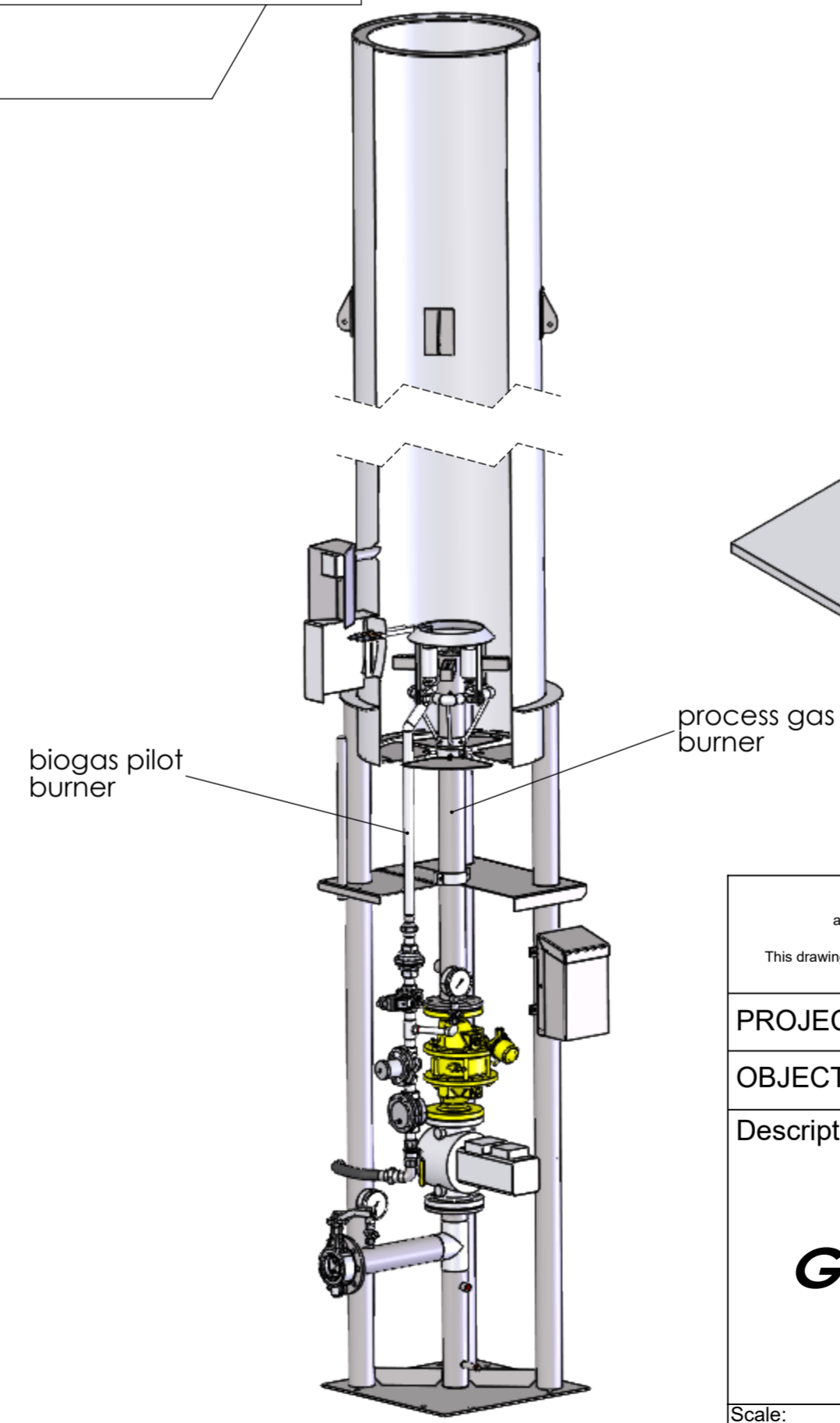
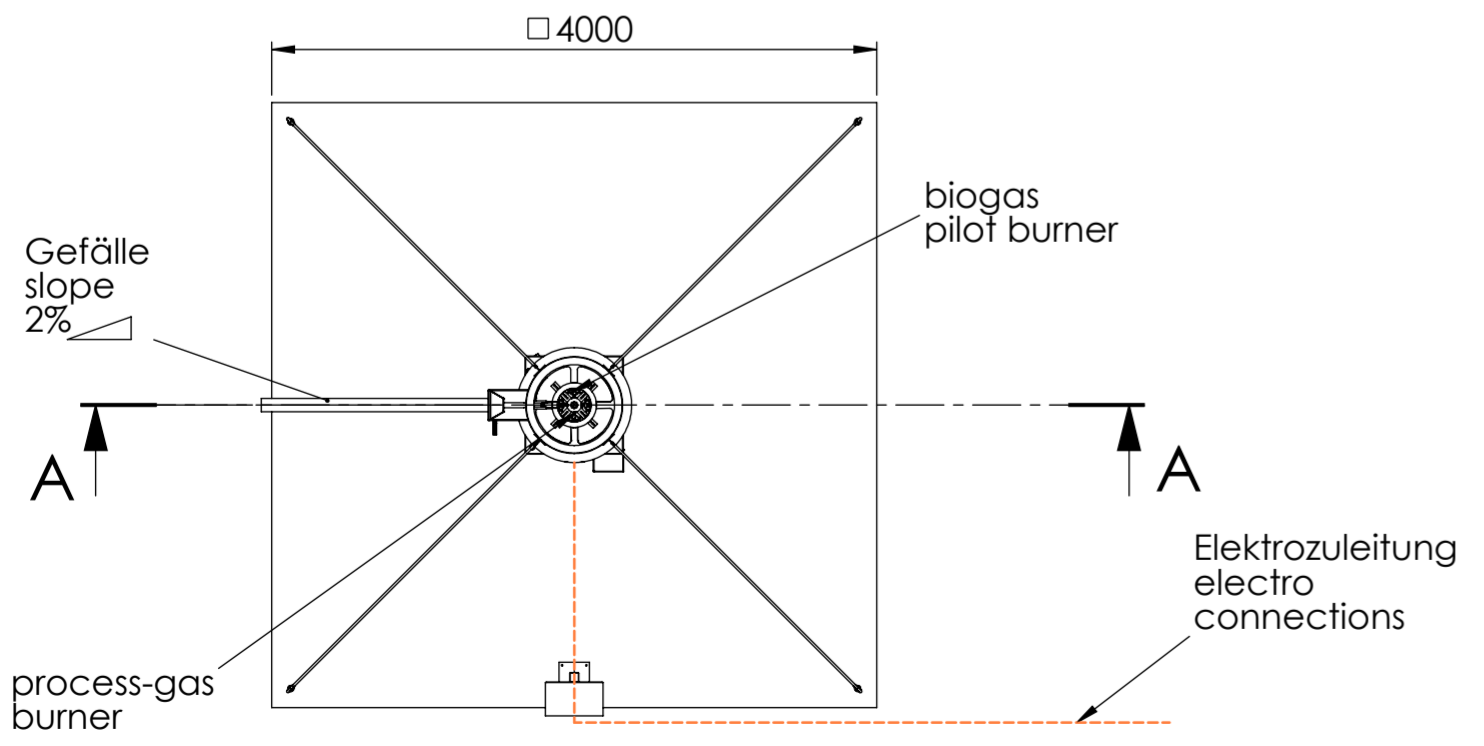
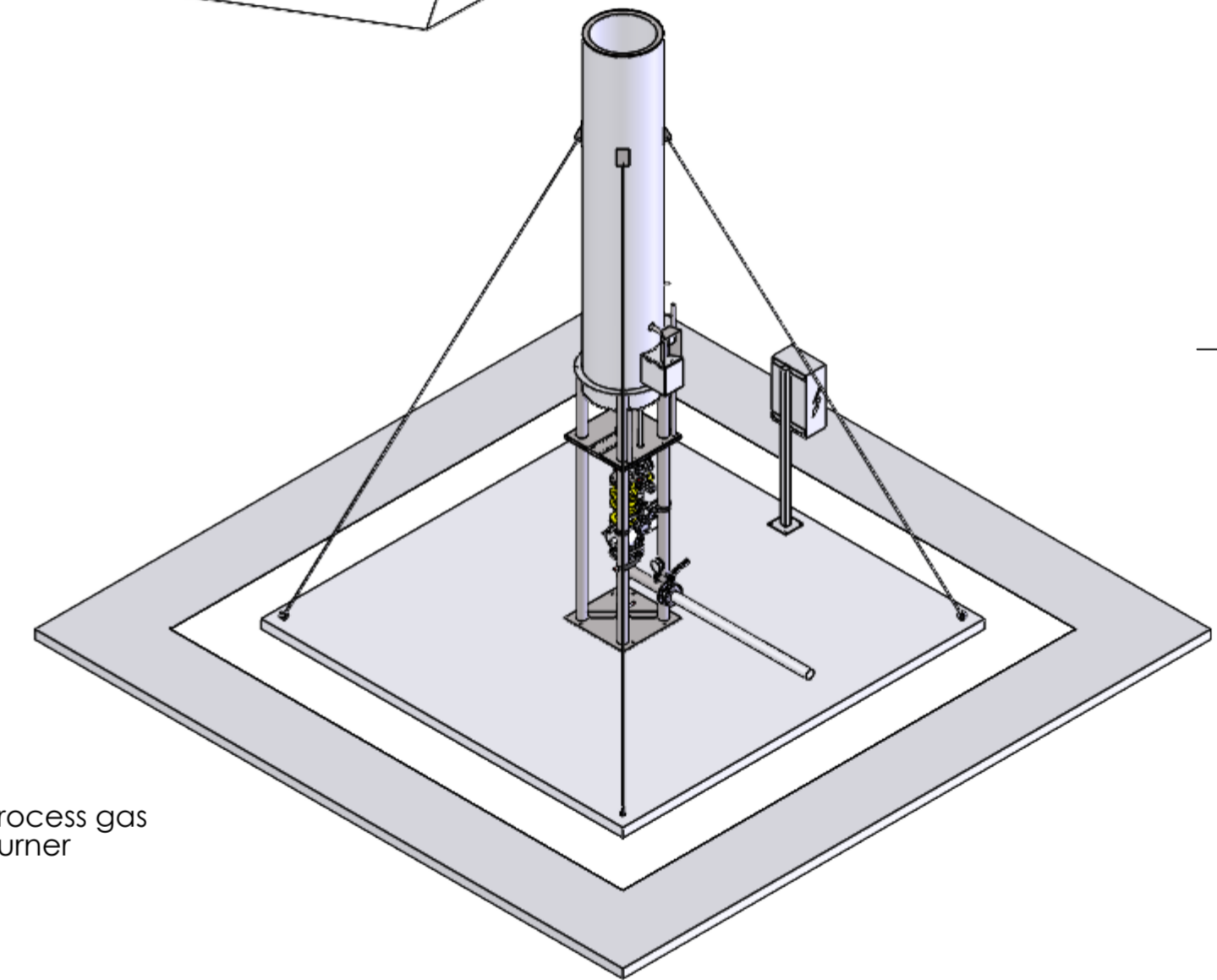
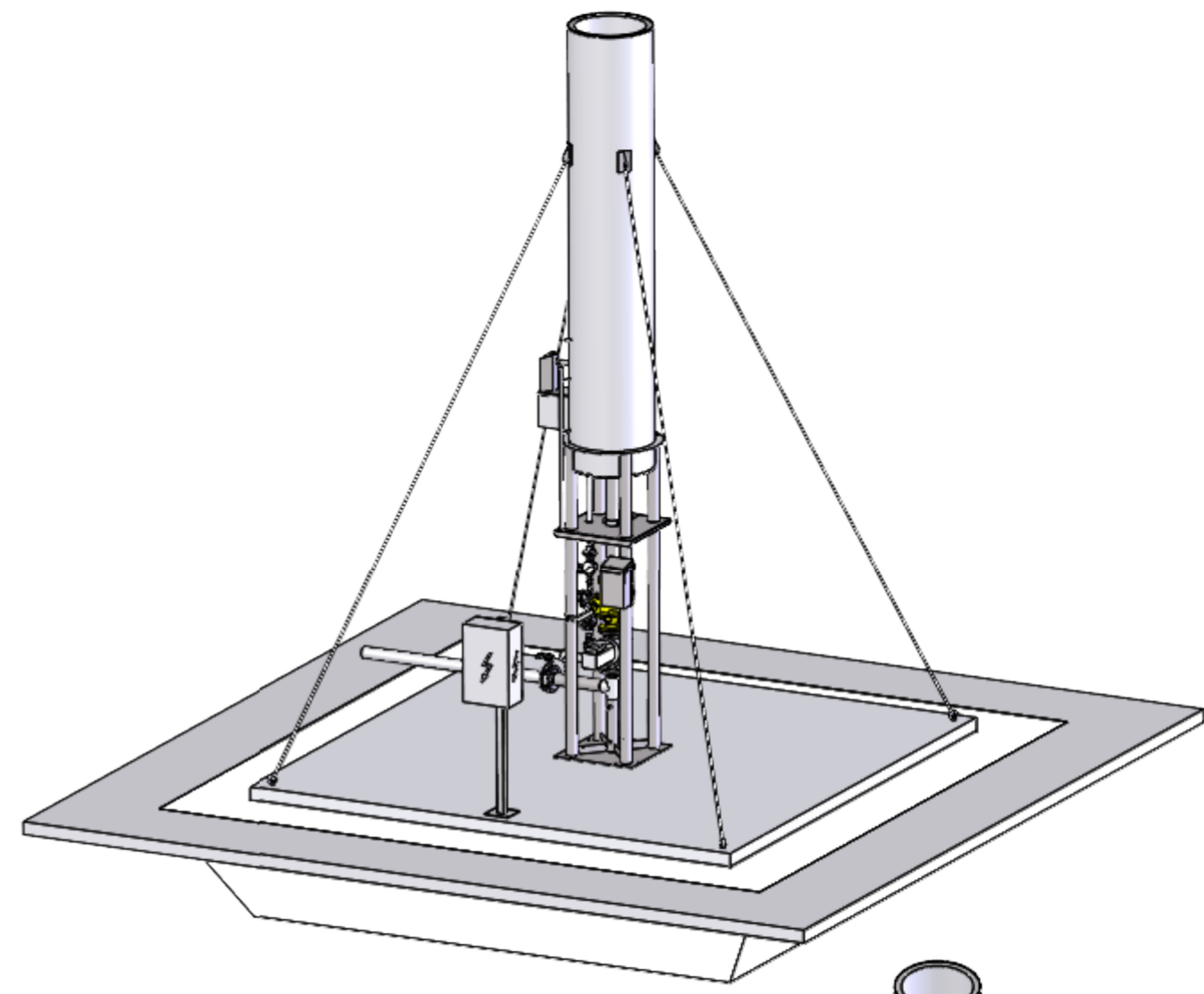
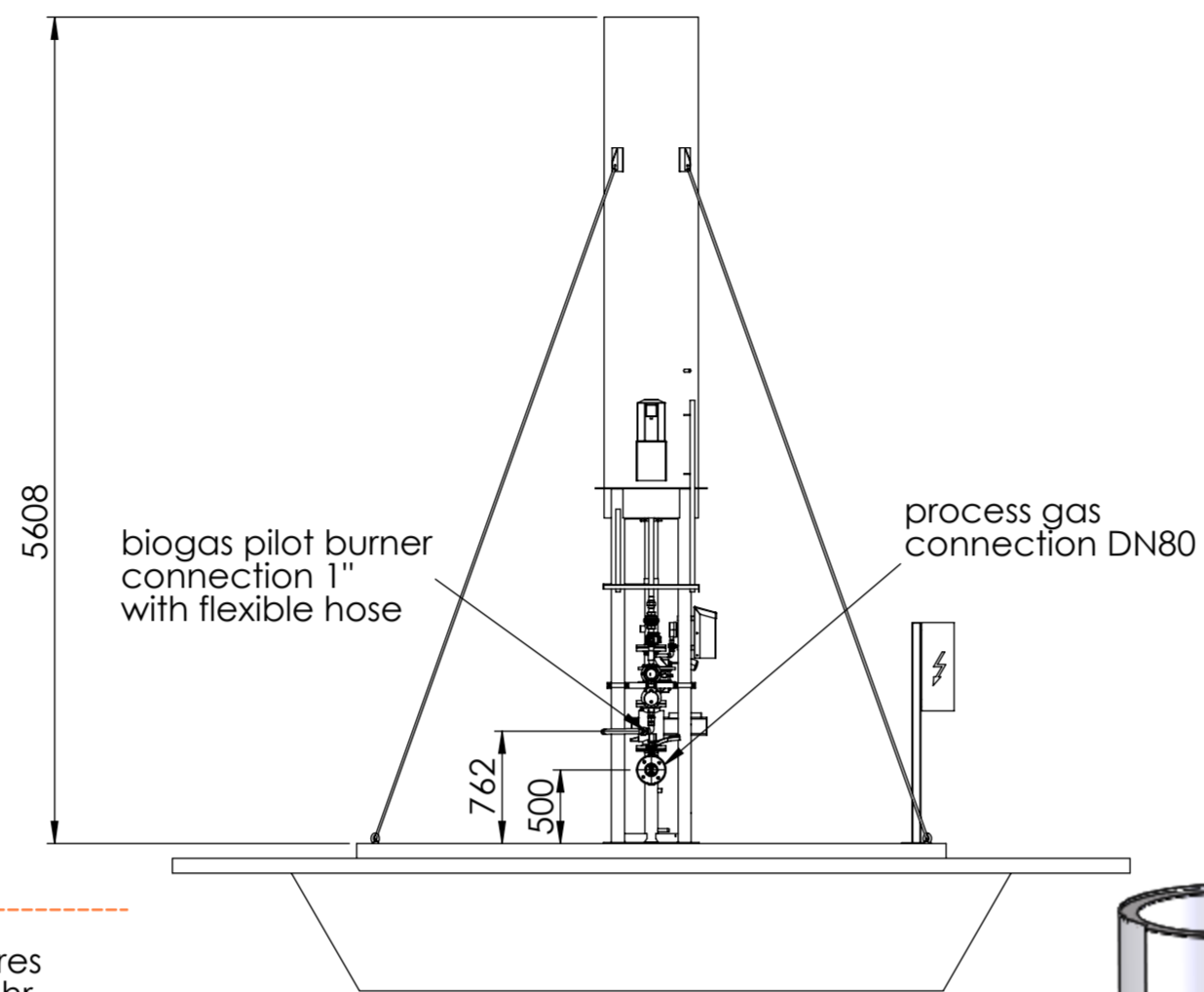
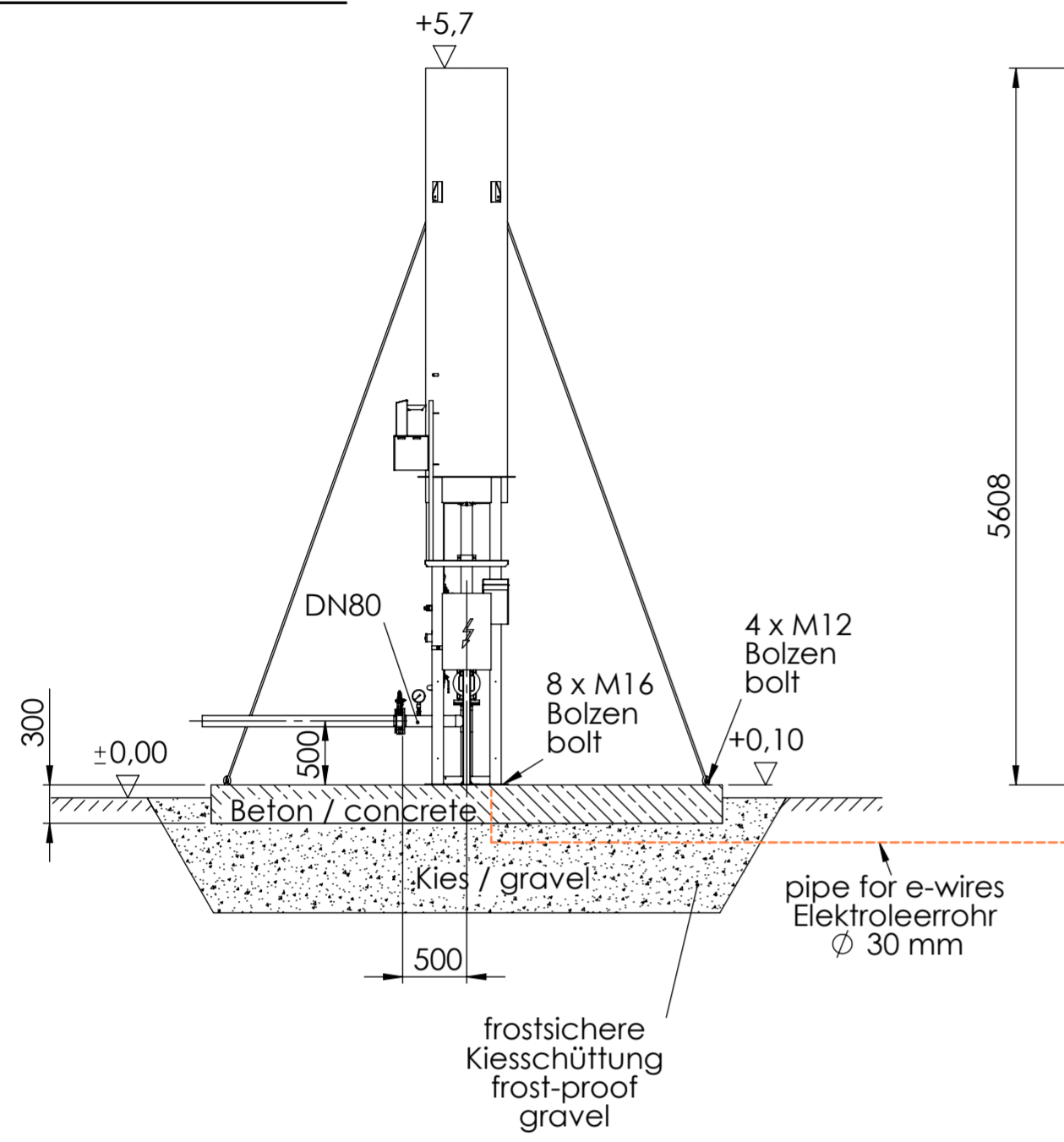


SCHNITT A-A
SECTION A-A




The reproduction, distribution and utilization of this document as well as the communication of this contents to its others without express authorization is prohibited. Offenders will be held liable for the payment of damages. All rights reserved in the event of a patent, utility model or design (DIN ISO 16016).
This drawing is the PROPERTY OF AAT and must neither be copied nor used in any other way without the written consent of AAT neither is it to be handled over nor in other way communicated to a third party. Infringement will lead to prosecution.

PROJECT	BioHydrogen	Date	17.01.2023
OBJECT	Gasfackel	Correction	
		Designer	moe
		Checked by	vem

Description

LAYOUT
Gasfackel FA 250 HT
Flare FA 250 HT



BIOGAS TECHNOLOGY
AAT Abwasser- und
Abfalltechnik GmbH
Konrad-Doppelmayr-Str. 17
6960 Wolfurt
AUSTRIA
Tel. Nr. +43 5574/65 1 90-0
www.aat-biogas.at

Scale:	Plan no.:	Revision:	Sheet:
1:50	A-DEU-21-082-FA250HT_01	0	1/1